



# STEEL LARGE GEARBOX CABINET

## Assembly Instructions

### TABLE OF CONTENTS

**CABINET/LOCKER SAFETY** .....1  
**PARTS** .....2  
**ASSEMBLY INSTRUCTIONS** .....3  
 Cabinet Use Requirements .....3  
 Unpack Cabinet Parts .....3  
 Assemble Cabinet.....3  
 Attach Back Panels .....3  
 Install Leveling Legs .....4  
 Install Shelves .....4  
 Install Doors .....5  
 Complete Assembly .....5  
**ACCESSORIES**.....5  
**WARRANTY** .....6

### CABINET/LOCKER SAFETY

#### Your safety and the safety of others are very important.

We have provided many important safety messages in this manual and on your appliance. Always read and obey all safety messages.



This is the safety alert symbol.

This symbol alerts you to potential hazards that can kill or hurt you and others.

All safety messages will follow the safety alert symbol and either the word "DANGER" or "WARNING."

These words mean:

**⚠ DANGER**

You can be killed or seriously injured if you don't immediately follow instructions.

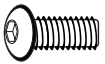
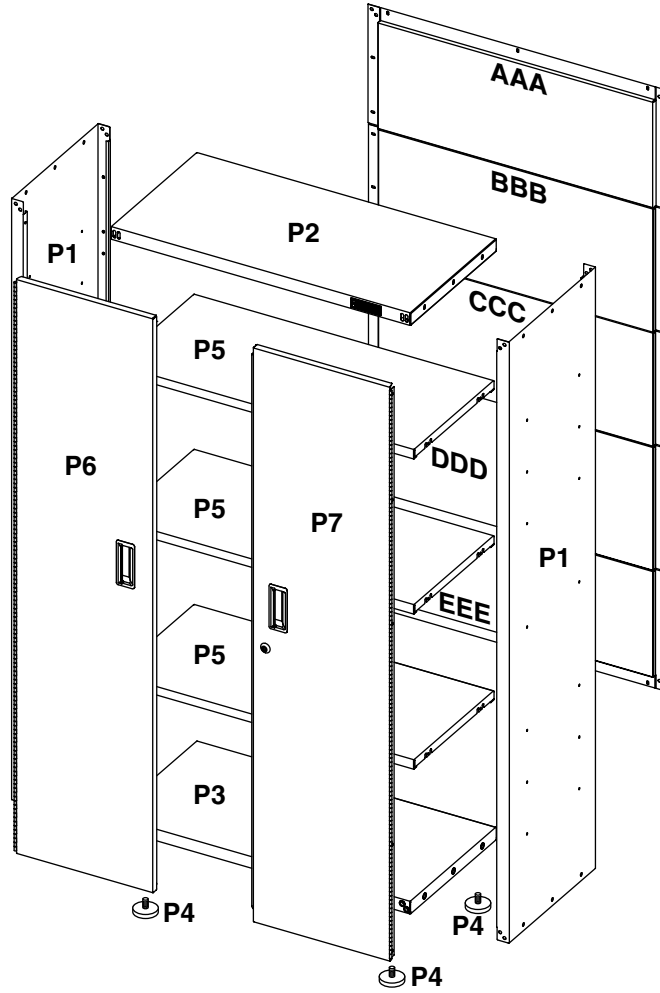
**⚠ WARNING**

You can be killed or seriously injured if you don't follow instructions.

All safety messages will tell you what the potential hazard is, tell you how to reduce the chance of injury, and tell you what can happen if the instructions are not followed.

IT'S TIME TO RETHINK THE GARAGE.®

# PARTS



F1



F2



F3



F4



F5



F6



F9

# ASSEMBLY INSTRUCTIONS

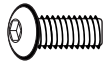
## Cabinet Use Requirements

- Intended for use in a garage.
- Maximum weight limit is 45 lbs (20.5 kg) for each shelf.
- Maximum weight limit is 225 lbs (102.3 kg) for the cabinet.

## Unpack Cabinet Parts

1. Remove and verify the contents. See "Parts."
2. Dispose of/recycle all packaging materials.

## Assemble Cabinet



F1



F2

F1 5/16" Allen-head bolt (28)  
F2 5/16" Flange nut (14)

Gather the required tools before starting installation.

### Tools Needed:

- 1/2" Wrench
- 3/8" Wrench
- 1 1/2" Wrench
- Phillips screwdriver
- Pliers
- Level

### Tools Supplied:

- Allen wrench
- Key

## ⚠ WARNING

### Excessive Weight Hazard

Use two or more people to move, assemble or install cabinet or locker.

Failure to do so can result in back or other injury.

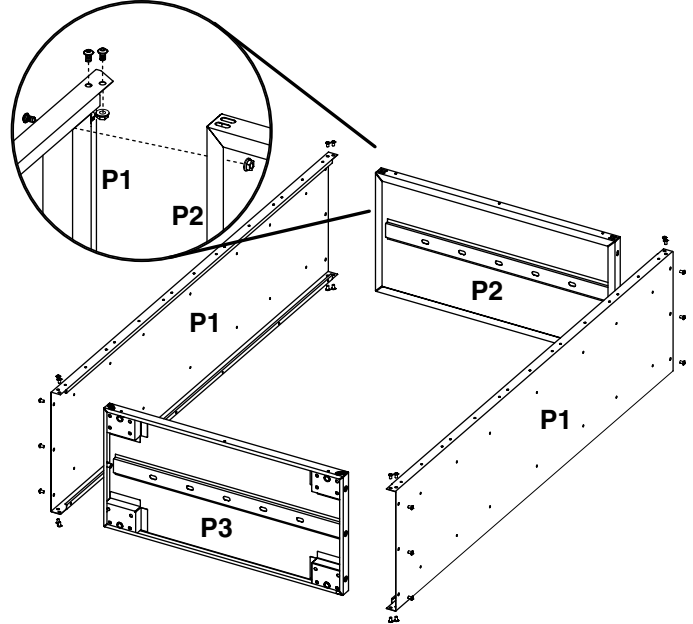
### IMPORTANT:

- As you assemble the cabinet, make sure the edges with the holes are facing up.
  - Assembling the cabinet is easier with two people.
1. Place side panel (P1) on a flat, firm surface so that the edge with the holes is facing up as shown.
  2. Insert the top (P2) between the edges of side panel (P1).  
**NOTE:** Make sure the edges with the holes are facing up.
  3. Align the holes and attach the top (P2) to the side (P1) using seven Allen-head bolts (F1) and 5/16" flange nuts (F2) as shown. Do not tighten completely.
  4. Position the other side panel (P1) so that the top (P2) is between the edges of side panel (P1).
  5. Align the holes and attach the top (P2) to the side (P1) using seven Allen-head bolts (F1) and 5/16" flange nuts (F2) as shown. Do not tighten completely.

6. Insert the cabinet bottom (P3) between the edges of the side panels (P1).

**NOTE:** Make sure the edges with the holes are facing up.

7. Align the holes and attach the bottom (P3) to the sides (P1) using seven Allen-head bolts (F1) for each side as shown. Do not tighten completely.



## Attach Back Panels



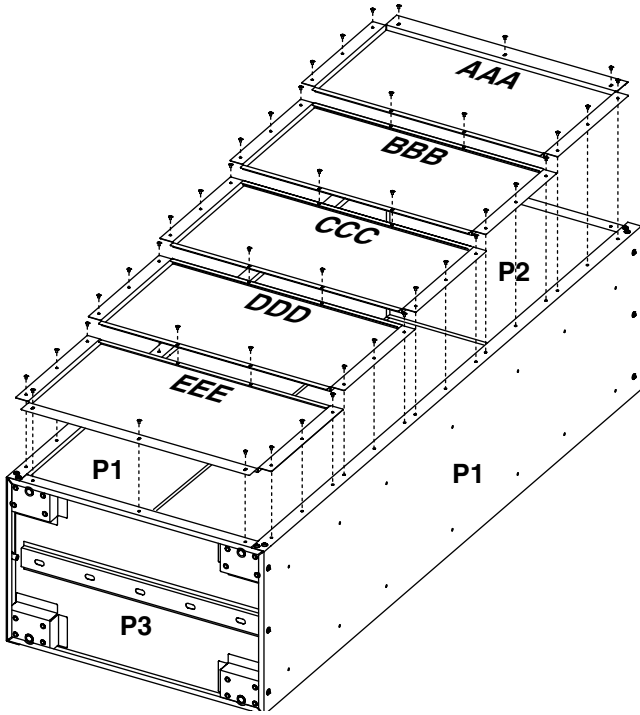
F3

F3 Phillips-head screw (44)

### IMPORTANT:

- Attach the back panels starting at the top of the cabinet with back panel (AAA) and working down to the cabinet bottom. Each back panel will overlap the panel below.
  - Do not completely tighten the screws until all back panels are in place.
1. Align back panel (AAA) with the holes in the cabinet top. Using nine Phillips-head screws (F3), attach back panel (AAA) to the cabinet top and sides.
  2. Slide the top of back panel (BBB) under the bottom of back panel (AAA). Using six Phillips-head screws, fasten back panel (BBB) to the cabinet sides.
  3. Repeat Step 2 for the remaining back panels ending with back panel (EEE).
  4. Using two Phillips-head screws, attach each back panel to the panel below.  
**NOTE:** Using three Phillips-head screws, attach panel (EEE) to the cabinet bottom.
  5. Completely tighten all back panel screws starting with the sides and continuing with the top, middle and bottom.

- Using the Allen wrench (provided), completely tighten all 28 cabinet bolts and nuts.



## Install Shelves



**F3**

F3 Phillips-head screw (12)



**F4**

F4 Small flange nut (12)



**F5**

F5 Door catch pin (1)



**F6**

F6 Star nut (1)

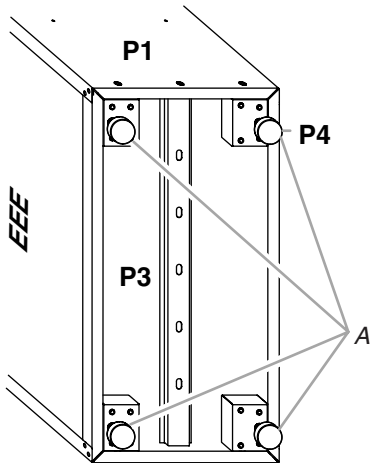
**IMPORTANT:** Use the pair of holes located in the middle of the cabinet sides to install a center shelf (P5), so the doors will close and lock. The other two shelves may be installed where desired.

- Place a shelf (P5) so that the holes in the ends are aligned with the pair of holes in the middle of the cabinet sides.
 

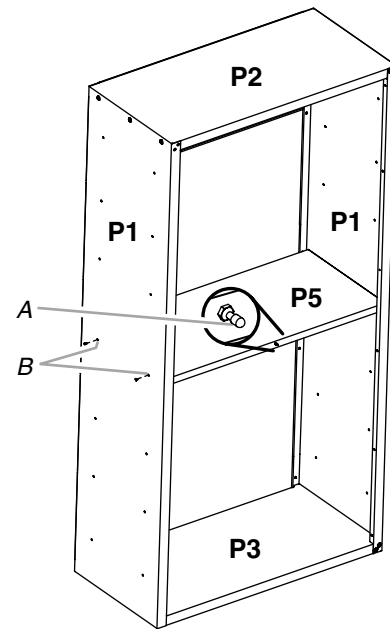
**NOTE:** Make sure the hole in the center of the long shelf edge is facing out.
- Using two screws and nuts per side, fasten the shelf (P5) to the sides (P1).
- Insert the door catch pin (F5) into the hole in the front edge of the shelf. Use  $1\frac{1}{2}$ " Wrench to fasten it with the star nut (F6).

## Install Leveling Legs

- Place the cabinet on its side.
- Screw a leveling leg (P4) into each of the four rivet nuts located at the corners of the cabinet as shown.
- Stand the cabinet upright.



A. Leveling legs



A. Door catch pin and star nut  
B. Middle pair of holes in cabinet side

- Determine where you want to place the other two shelves (P5). Align the holes in the shelf ends with the holes in the cabinet side.
 

**NOTE:** Make sure the holes in the center of the shelves' long edges are facing the cabinet back.
- Using two screws and nuts per side, fasten the shelves (P5) to the cabinet sides (P1). Completely tighten the nuts.

## Install Doors



F3

F3 Phillips-head screw (12)

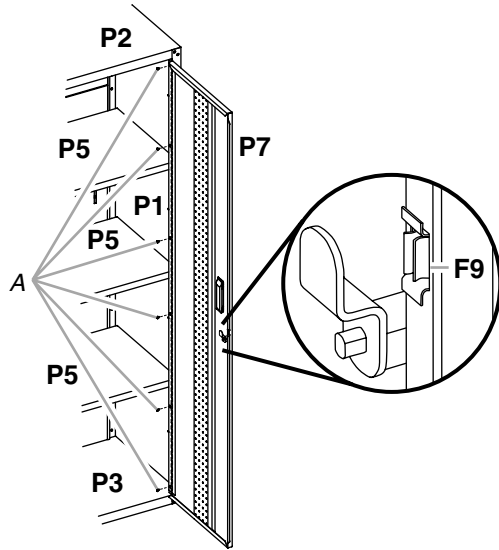


F9

F9 Door catch (1)

**IMPORTANT:** The door with the lock assembly (P7) should be installed on the right-hand side of the cabinet.

1. Align the holes in the right-hand door hinge with the holes in the right-hand cabinet side.
2. Using six Phillips-head screws, starting with the top hole, fasten the door (P7) to the cabinet side. Hand-tighten the screws.
3. Insert the door catch (F9) into the rectangular opening, above the lock, as shown.



A. Phillips-head screws

4. Repeat Steps 1 and 2 to attach the left-hand door (P6).
5. Align the doors and fully tighten the screws.

## Complete Assembly

1. Move the cabinet to its final location.
2. Place a level on an inside shelf, and if necessary, level the cabinet by adjusting the height of the leveling legs. Turn to the left to raise or to the right to lower the leveling leg.
3. If the doors are not aligned, loosen all the screws attaching the door hinge to the cabinet.
4. Adjust door to the desired height, and fully tighten the screws.

## ACCESSORIES

To order accessories, call **1-866-342-4089** and ask for the accessory part number listed below or contact your authorized Gladiator® GarageWorks dealer. In Canada, call **1-800-807-6777**.

### Mounting Bracket Kit

Order Part # GABK362PSS00

---

# GLADIATOR® GARAGEWORKS STEEL LARGE GEARBOX CABINET WARRANTY

---

## TEN YEAR LIMITED WARRANTY

For ten years from the date of purchase, when the Steel Large GearBox Cabinet is used and maintained according to the instructions attached to or furnished with the product, Gladiator® GarageWorks will pay for replacement or repair of the defective product or parts to correct defects in materials or workmanship.

---

### Gladiator® GarageWorks will not pay for:

1. Service calls to correct the installation of any Gladiator® GarageWorks products or to instruct you on how to use or install them.
  2. Damage resulting from improper handling or shipping of products, or products damaged by accident, misuse, abuse, fire, flood, improper installation, acts of God, neglect, corrosion, modification or mishandling.
  3. Shipping or freight fees to deliver replacement products or to return defective products.
  4. Repairs or replacement when your product is used in other than normal, single-family household use, such as a commercial environment or handled in any way inconsistent with the installation instructions included with the product.
  5. Cosmetic damage including scratches, dings, dents or cracks that do not affect the structural or functional capability of the product.
  6. Replacement parts or product for Gladiator® GarageWorks products operated outside the United States and Canada.
  7. In Canada, travel or transportation expenses for customers who reside in remote areas.
  8. Any labor costs during the limited warranty period.
  9. Damage resulting from improper loading beyond the specified maximum weight capacity outlined in the assembly instructions provided with the product, including overloading of hooks, baskets, shelves, cabinets, and other Gladiator® GarageWorks accessories used with the product.
  10. Surfaces damaged due to chemical interaction resulting in corrosion of paint or metal.
  11. Replacement keys or locking mechanism.
  12. Loss of product contents due to theft, fire, flood, accident or acts of God.
- 

### DISCLAIMER OF IMPLIED WARRANTIES; LIMITATION OF REMEDIES

IMPLIED WARRANTIES, INCLUDING TO THE EXTENT APPLICABLE WARRANTIES OF MERCHANTABILITY OR FITNESS FOR A PARTICULAR PURPOSE, ARE EXCLUDED TO THE EXTENT LEGALLY PERMISSIBLE. ANY IMPLIED WARRANTIES THAT MAY BE IMPOSED BY LAW ARE LIMITED TO ONE YEAR, OR THE SHORTEST PERIOD ALLOWED BY LAW. SOME STATES AND PROVINCES DO NOT ALLOW LIMITATIONS OR EXCLUSIONS ON HOW LONG AN IMPLIED WARRANTY OF MERCHANTABILITY OR FITNESS LASTS, SO THE ABOVE LIMITATIONS OR EXCLUSIONS MAY NOT APPLY TO YOU. THIS WARRANTY GIVES YOU SPECIFIC LEGAL RIGHTS, AND YOU MAY ALSO HAVE OTHER RIGHTS WHICH VARY FROM STATE TO STATE OR PROVINCE TO PROVINCE.

Outside the 50 United States and Canada, this warranty does not apply. Contact your authorized Gladiator® GarageWorks dealer to determine if another warranty applies.

If you need service, call the Gladiator® GarageWorks Customer eXperience Center, **1-866-342-4089** (toll-free), from anywhere in the U.S.A. In Canada, contact your Whirlpool Canada LP designated service company or call **1-800-807-6777**.

In the United States, Gladiator® GarageWorks means Whirlpool Corporation, Benton Harbor, Michigan 49022. In Canada, Gladiator® GarageWorks means Whirlpool Canada LP, Mississauga, ON L5N 3A7.

1/06

---

**Keep this book and your sales slip together for future reference. You must provide proof of purchase or installation date for in-warranty service.**

Write down the following information about your Steel Large GearBox Cabinet to better help you obtain assistance or service if you ever need it. You will need to know your complete model number and serial number. You can find this information on the model and serial label located on the back of the product.

Dealer name \_\_\_\_\_  
Address \_\_\_\_\_  
Phone number \_\_\_\_\_  
Model number \_\_\_\_\_  
Serial number \_\_\_\_\_  
Purchase date \_\_\_\_\_